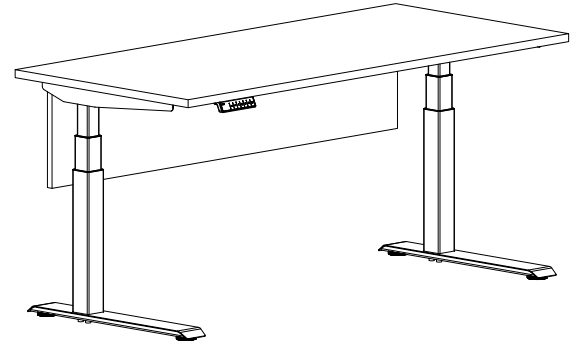


Activ Pro 2.0

Application Guidelines

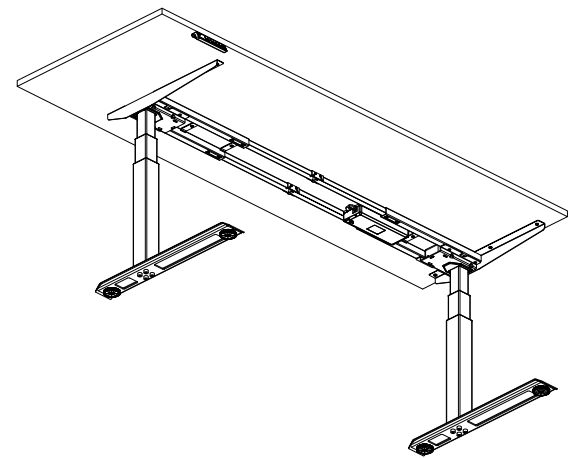
Modesty Panels

23"D	No
24"D	No
29"D	Yes
30"D	Yes



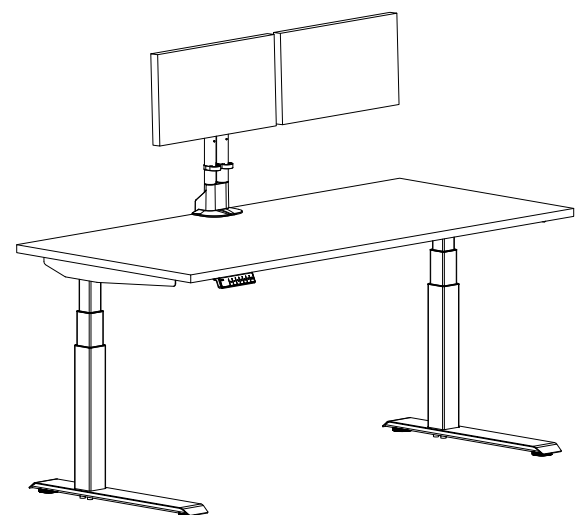
Overhangs

Desk Width	One Side	Both Sides
46"	3" max	1.5" max
52"	8" max	4" max
54"	10" max	5" max
58"	14" max	7" max"
60"	15" max	8" max
64"	15" max	10" max
66"	15" max	11" max
70"	15" max	12" max
72"	15" max	12" max



Monitor Arms

Monitor Arms	C leg	T-Leg 23/24	T-leg 29/30
2 Monitors	Yes, glide only	Yes	Yes
3 Monitors	No	No	Yes, glide only
4 Monitors	No	No	Yes, glide only



Activ Pro 2.0

Application Guidelines

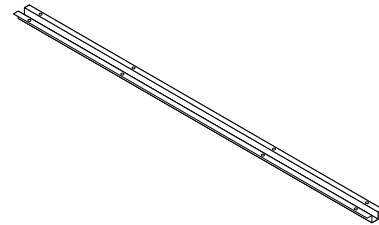
Longer Stretcher Bar (APS3STRETCHER)

- APS3L3B – for base only 3-leg styles, we don't know how the dealer is planning with the tops. For each side that is >65", it is required to add extended stretcher bars
- APS390 – for 3-leg desk styles (which include the worksurface), it will automatically include extended stretcher bars when >65"
- *2-leg bases do not require additional stretcher bars. The standard stretcher bar on 2-leg bases are designed to support worksurfaces ranging from 46 – 72"
- Tip: Two stretcher bars are included in a box
- Tip: One style number is needed per side 65" or wider



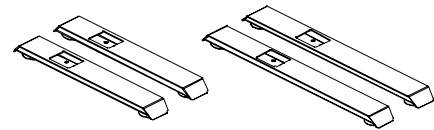
Reinforcing Channel (AMQTSATRC)

- Required to install support to worksurfaces that are 66" or wider
- Tip: One style number is needed per side 66" or wider
- Tip: 48"W reinforcing channel can be used for any worksurface 66" or wider



3-Leg Corner Desk Feet (APFEET)

When ordering our ACTIV 2.0 Corner Bases (APS3L3B), dealers will have to option either 23/24" or 29/30" meaning BOTH side will have feet of the same length, So, if you need (2) different foot sizes to support a main desk that is 29/30" deep and the return that is 23/24" deep, order HALF as 29/30" bases, the other HALF as 23/24" and swap out feet in the field. If they have an ODD # of bases, then they will just need to order (1) set of the feet above.



Available Clearance Under The Worksurface

Monitor Arms	Front Edge	Back Edge
24D C-Leg	13.8" / 350.8mm	4.0" / 101.8mm
24D T-Leg	8.9" / 226.3mm	8.9" / 226.3mm
30D C-Leg	16.8" / 426.7mm	7.0" / 177.8mm
30D T-Leg	11.9" / 302.3mm	11.9" / 302.3mm